

DESIGN GUIDE FOR THE AUTOKEY SYSTEM

CHAMBERLAIN
SENTEX[®]

INTRODUCTION

The purpose of this guide is to assist you in meeting any specification requirements you may encounter in installing an AutoKey system. The information enclosed in this manual is to be used for reference purposes only and is not intended to be an installation or programming manual.

TABLE OF CONTENTS

<u>SECTION NAME</u>	<u>PAGE</u>
1. Cabinet Dimensions	2
2. Wire Chart	2
3. Dimensional Drawing of the AutoKey System	3
4. Dimensional Drawing of the AutoKey Transmitters	4
5. Illustration of the AutoKey Main Processor Board	5
6. Installation of the Remote Antenna Option	6

IMPORTANT: The Sentex Systems warranty on this system is conditioned upon Sentex Systems. being paid in full for this equipment. This warranty will not be honored until such payment is received by Sentex Systems.

Copyright © 2000
All Rights Reserved

This document is protected by copyright and may not be copied or adapted without the prior written consent of Sentex Systems. This document contains the information proprietary to Sentex and such information may not be distributed without the prior written consent of Sentex. The software and firmware included in the Sentex Autokey system as they relate to this documentation are also protected by copyright and contain information proprietary to Sentex.

Sentex Systems
Chatsworth, CA

Visit us at www.sentexsystems.com

1 - SYSTEM DIMENSIONS

<u>TYPE OF SYSTEM</u>	<u>HEIGHT</u>	<u>WIDTH</u>	<u>DEPTH</u>
AutoKey Cabinet	9.40"	8.35"	2.94" (at the deepest point)
Visor Transmitter	4.0"	2.5"	1.0"
Keychain Transmitter	2.25"	1.5"	.5"

2 - WIRE CHART

Cabling to the Controller Board

Type of Wire

Recommendations

From the power transformer at the 120 VAC outlet

2 conductor cable

See chart below

75 ft. and under	18 awg	Belden Wire #8888
75 to 150 ft.	16 awg	Belden Wire #19501
150 to 250 ft.	14 awg	Belden Wire #19502
250 to 500 ft.	12 awg	Belden Wire #9412

From the door strike, magnetic strike, or gate operator

2 conductor cable

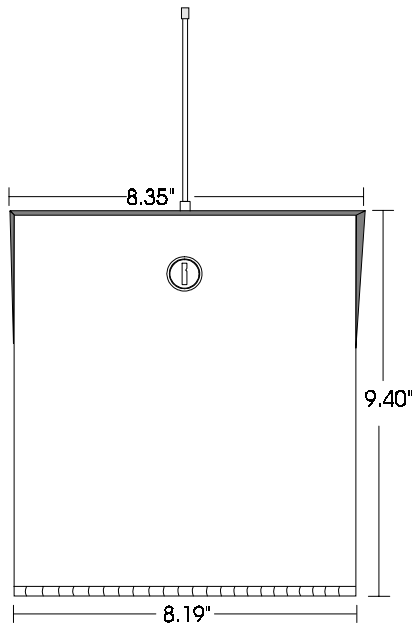
see device specifications for wire size

From the strike power supply (if needed)

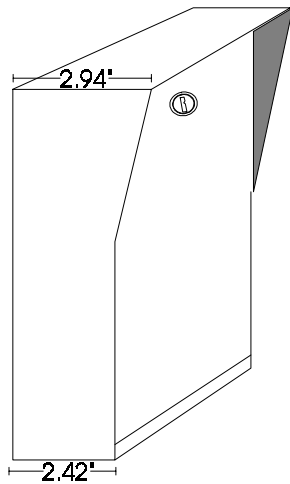
2 conductor cable

see device specifications for wire size

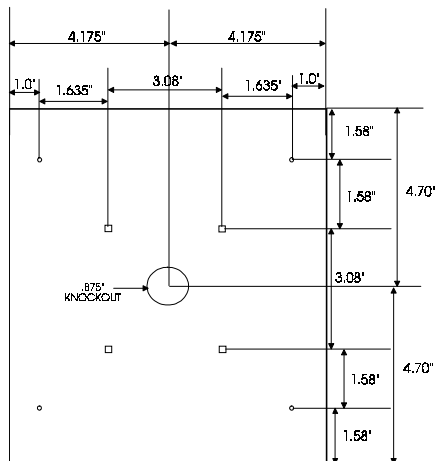
3 - DIMENSIONAL DRAWING OF THE AUTOKEY SYSTEM



FRONT VIEW



SIDE VIEW

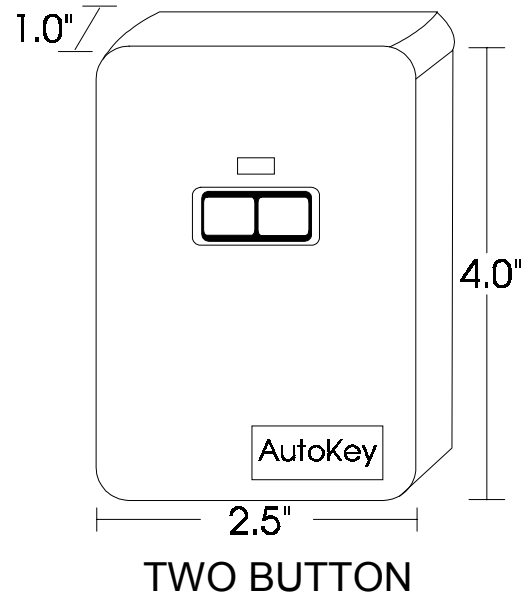
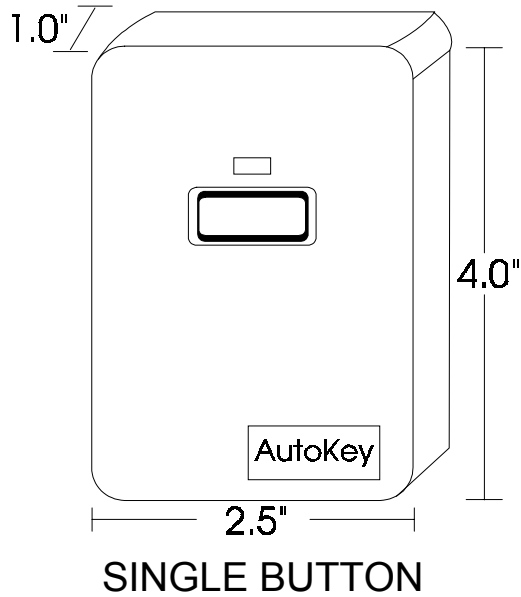


REAR VIEW

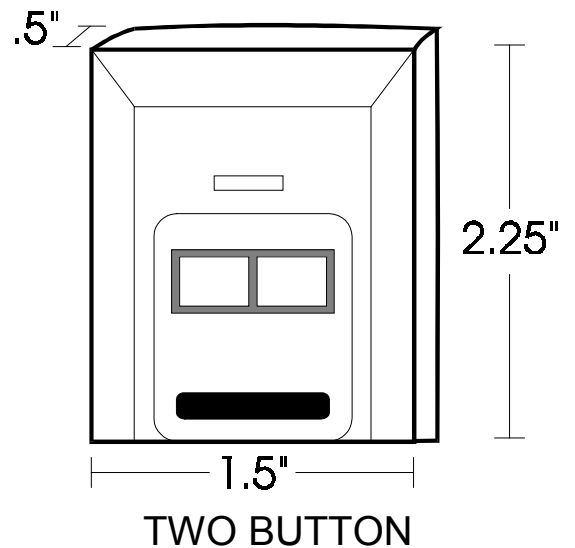
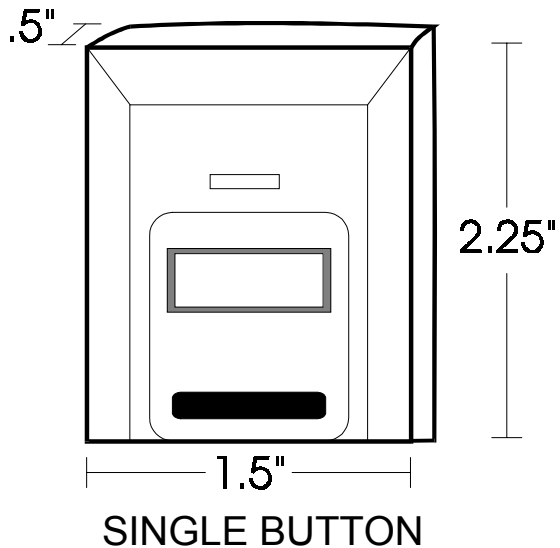
This line drawing is intended for dimensional reference purposes only and is not intended to be an actual drawing of the AutoKey System itself.

4 - DIMENSIONAL DRAWINGS OF THE AUTOKEY TRANSMITTERS

VISOR TRANSMITTER

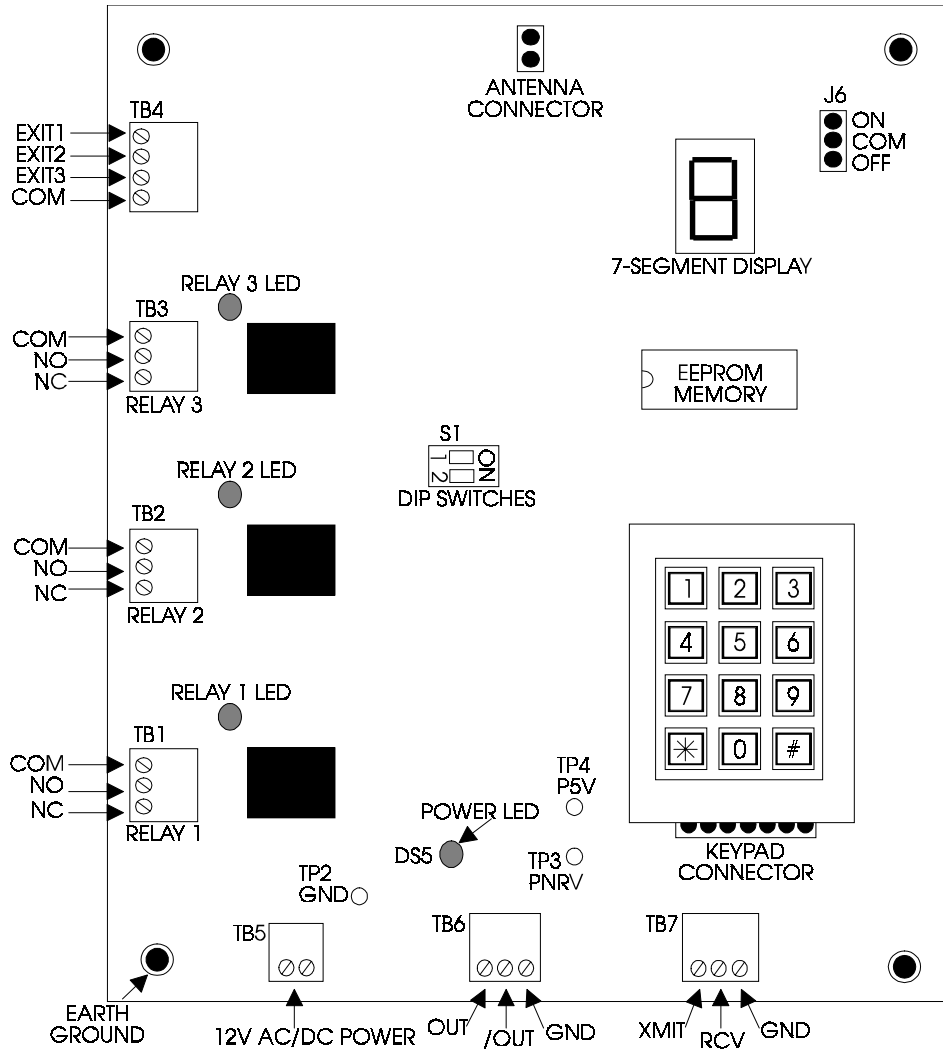


KEYCHAIN TRANSMITTER



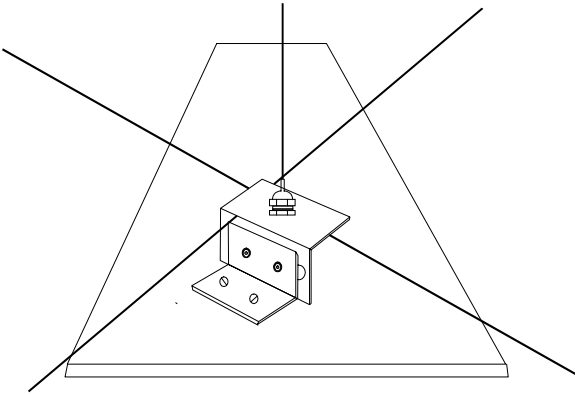
This line drawing is intended for dimensional reference purposes only and is not intended to be an actual drawing of the AutoKey transmitters themselves.

5 - ILLUSTRATION OF THE AUTOKEY CONTROLLER BOARD

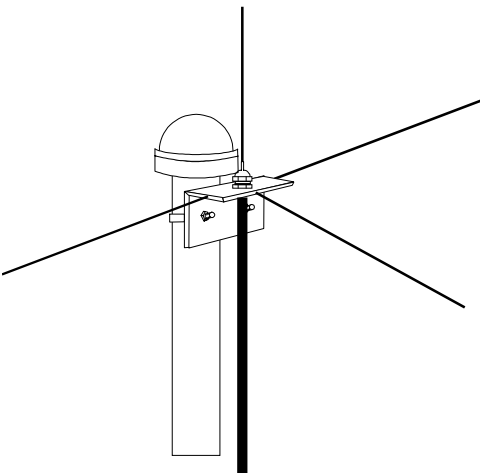


6 - INSTALLATION OF THE REMOTE ANTENNA OPTION

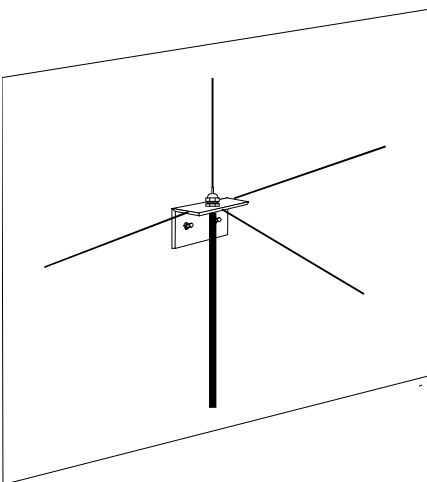
The Remote Antenna option allows for the antenna to be installed high above the ground and/or existing structures without the need for mounting the receiver cabinet in a hard to reach place. The Remote Antenna can be mounted in one of three ways: onto a surface, a pole, or a wall (see illustrations below). In all three installations, the Remote Antenna comes with a 5 foot coaxial cable for installation. You may extend this cable with an extension that you provide, but the total length of the cable should not be more than 15 feet in length.



SURFACE MOUNT



POLE MOUNT



WALL MOUNT